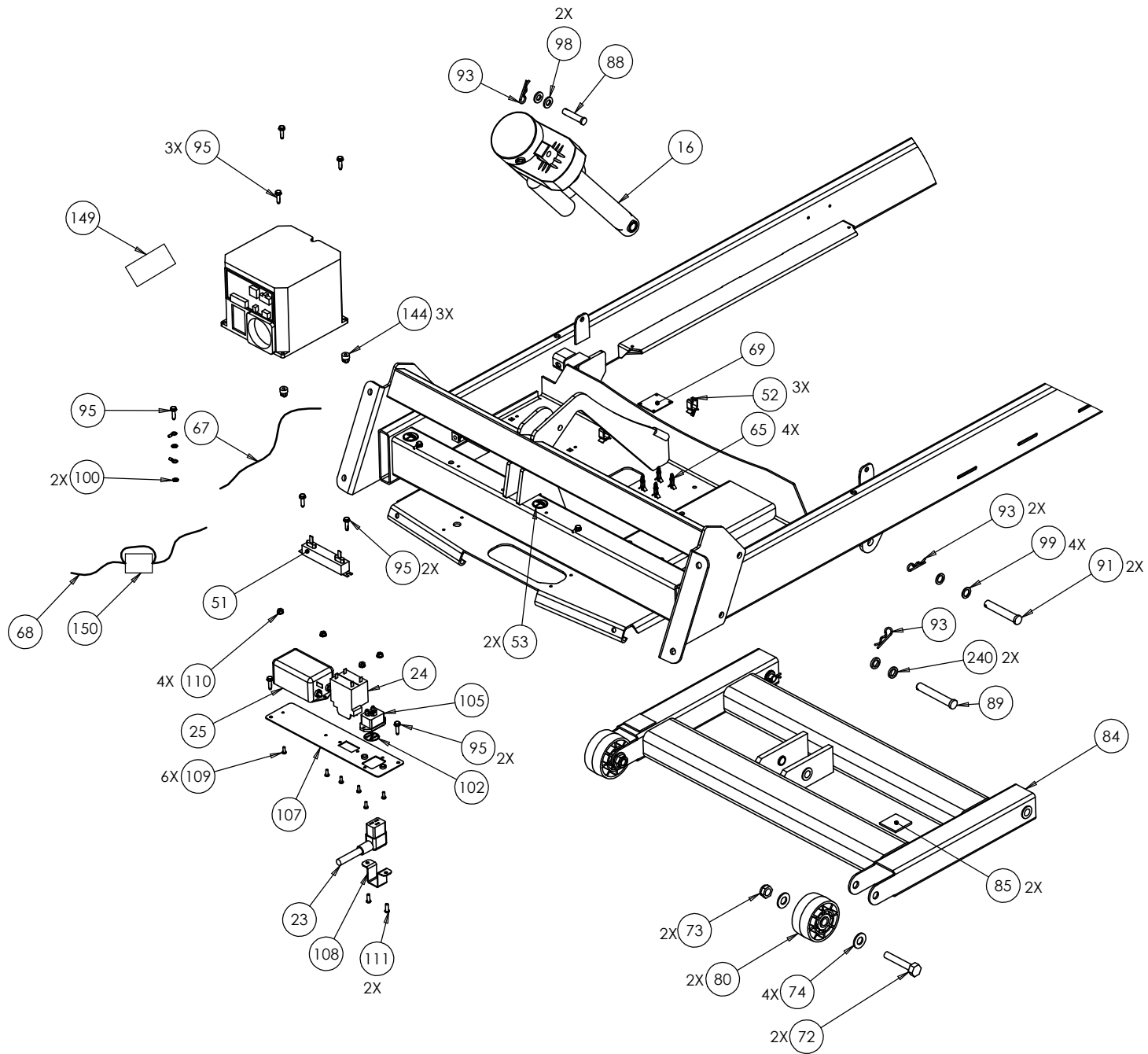


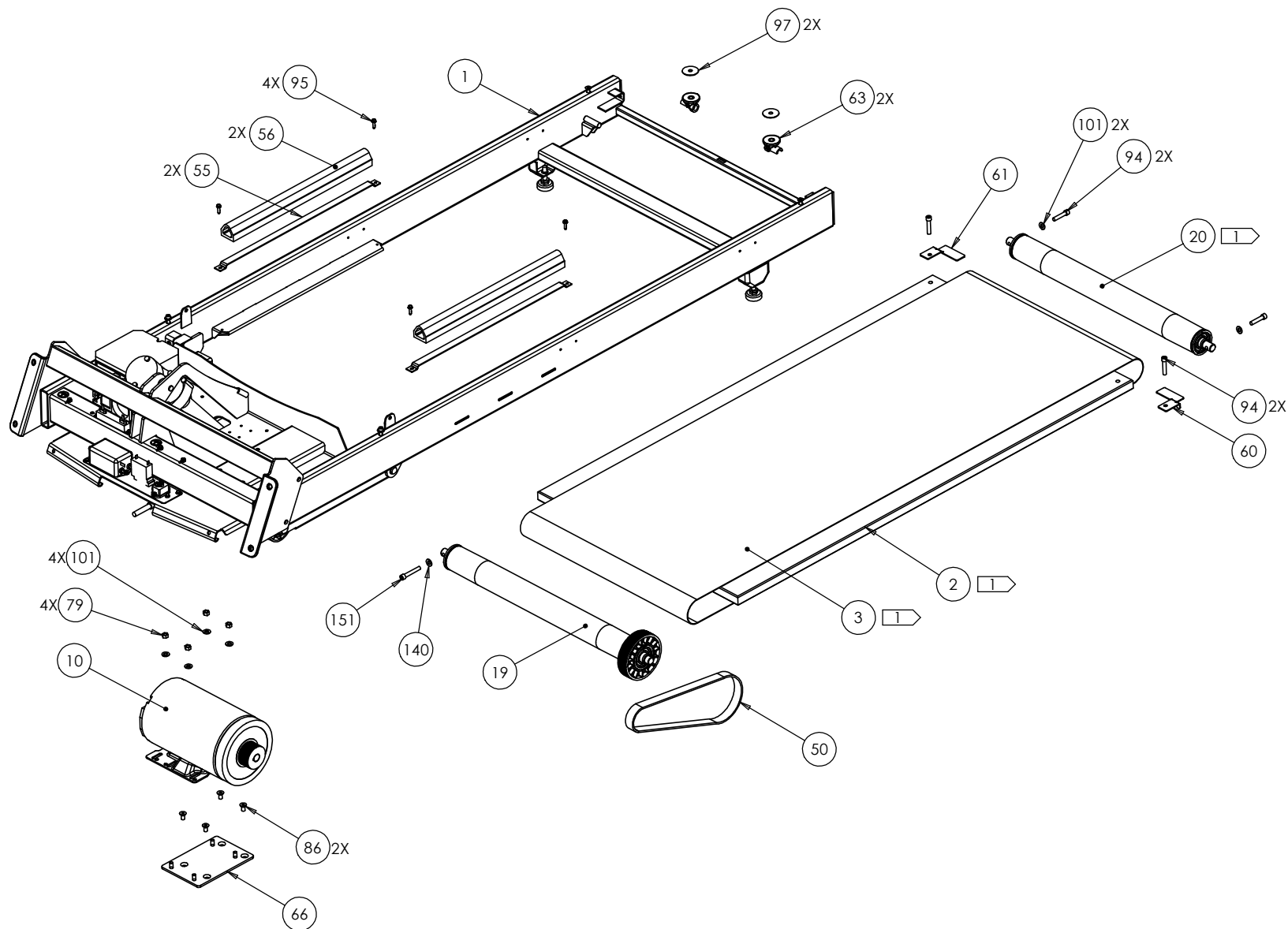
NOTES:

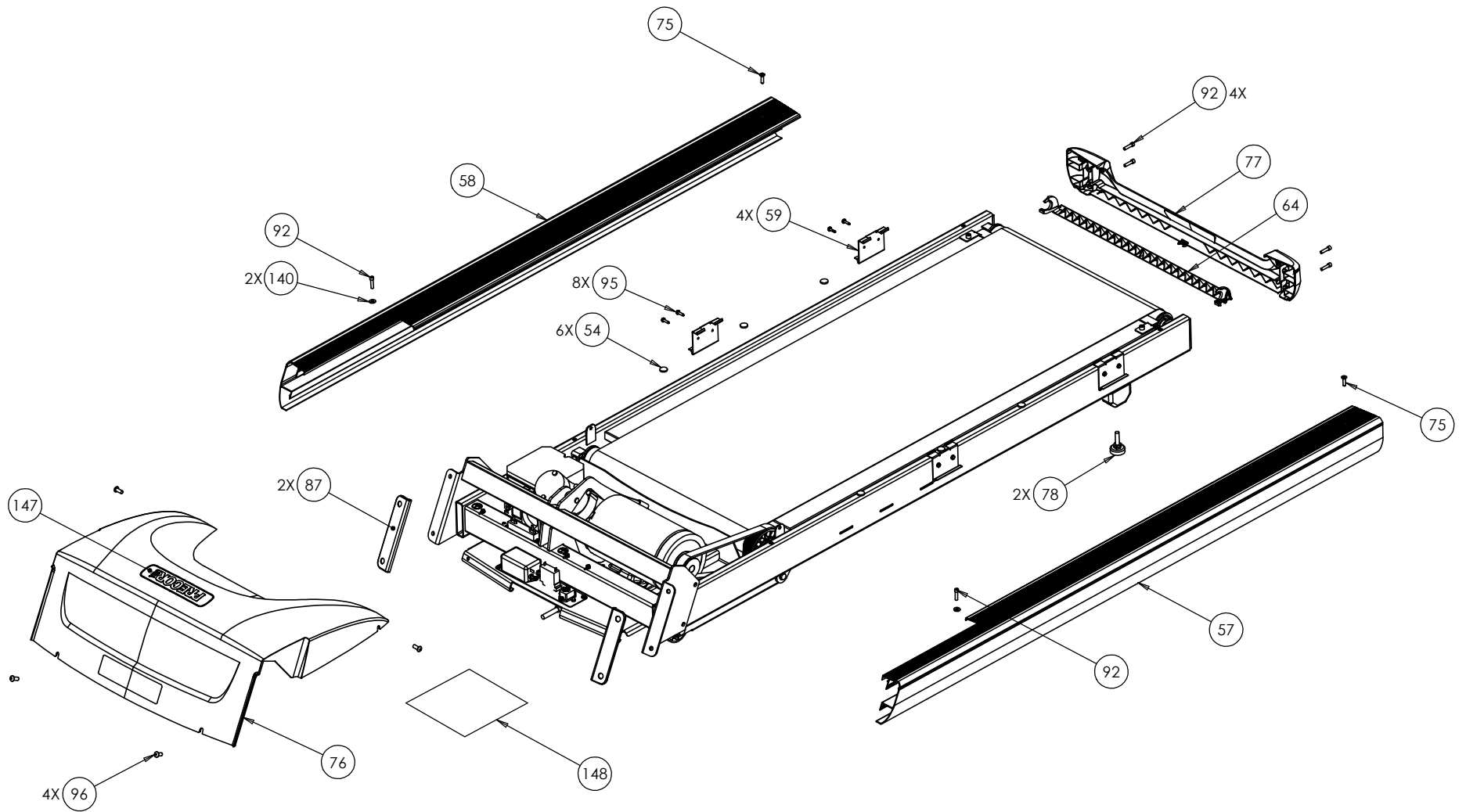
IF THE UNIT WAS BUILT PRIOR TO 6/21/2012, ORDER REPLACEMENT PARTS KIT (203).



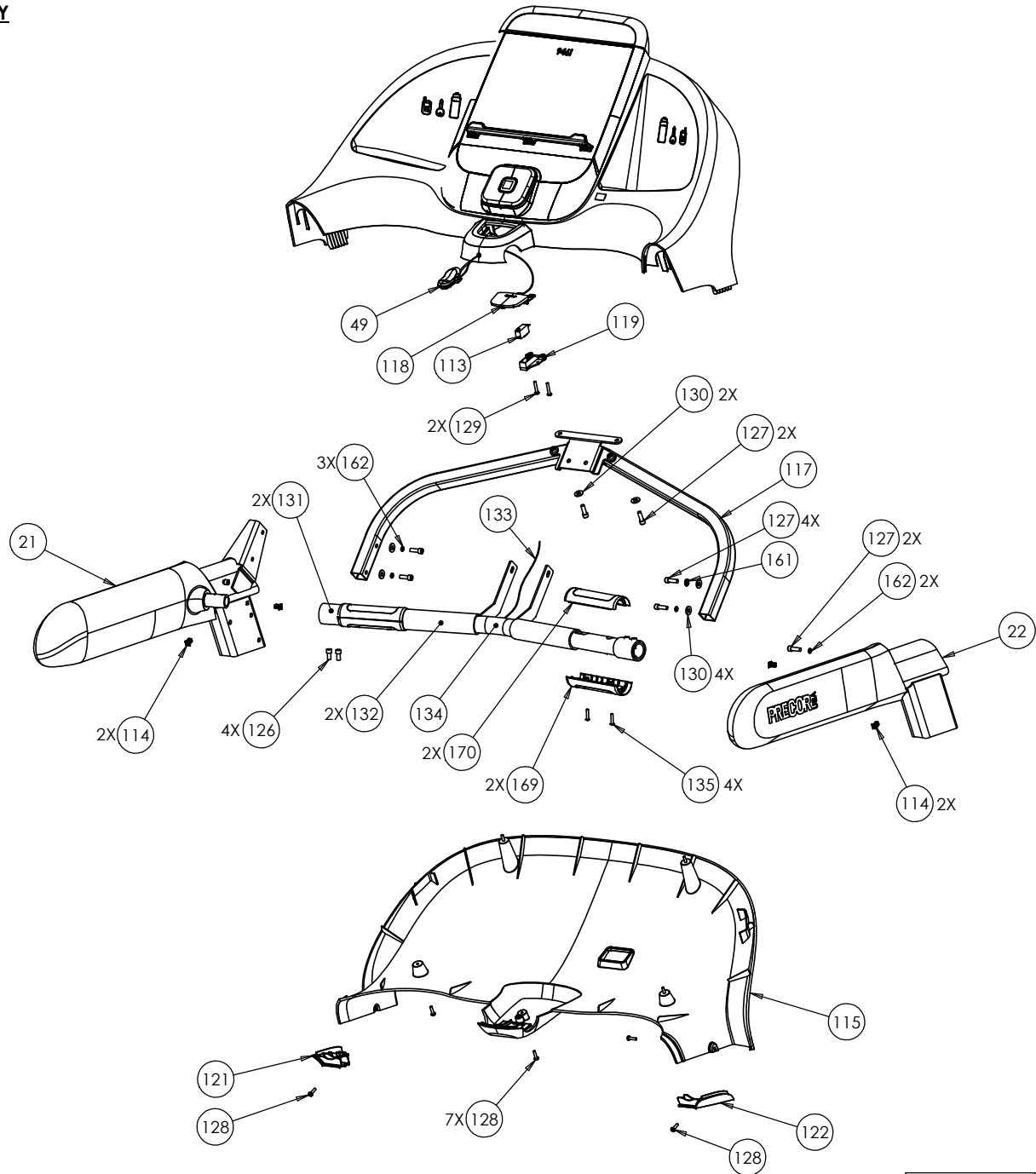
C932I, C946I	P/N : 35937-101	SUBREV : Y
DRAWN BY : KAW	DATE : 10/8/14	SHEET 1 OF 8



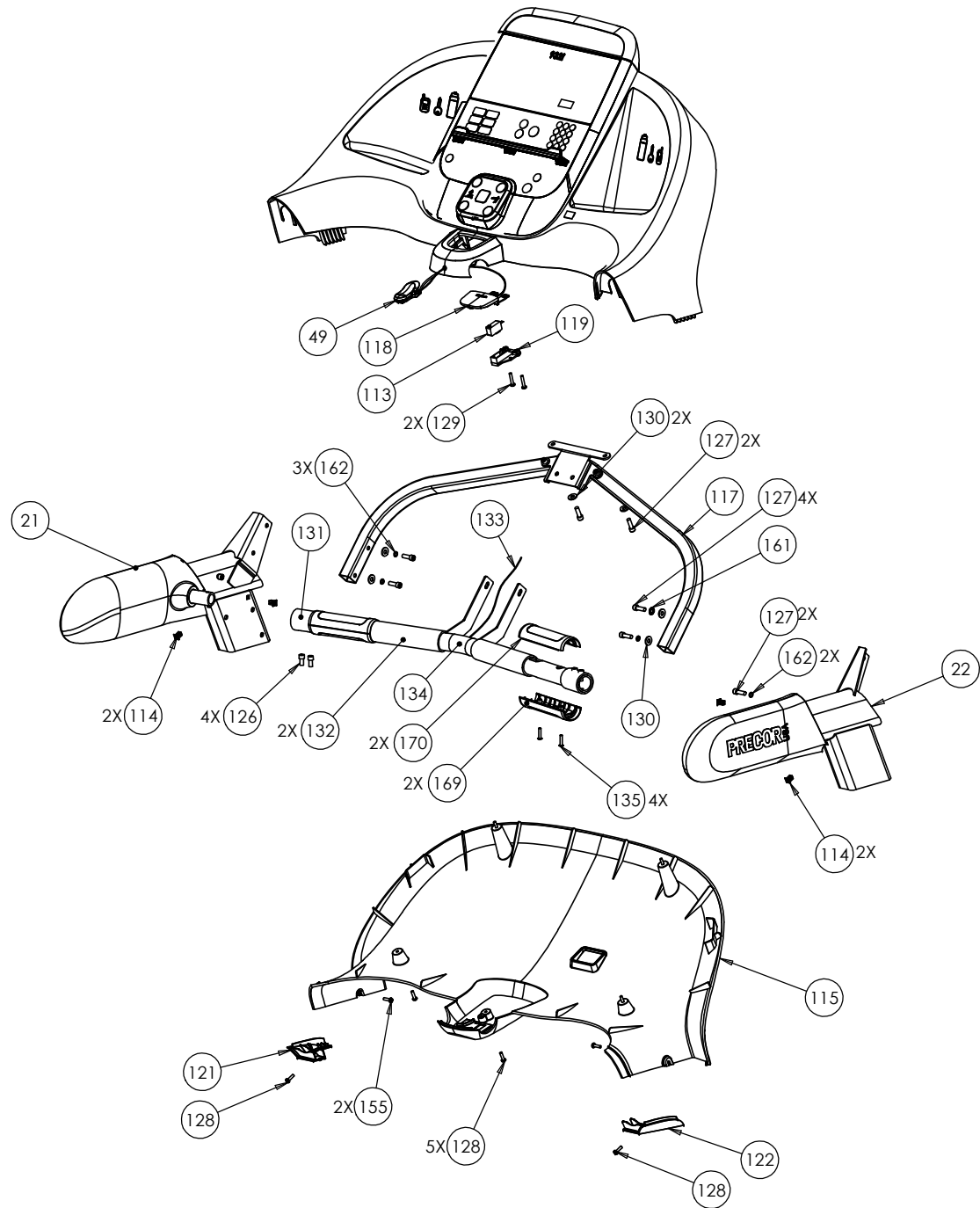




**C946i DISPLAY  
ASSEMBLY**



**C932i DISPLAY  
ASSEMBLY**



**C932i & C946i  
DISPLAY ASSEMBLY**

